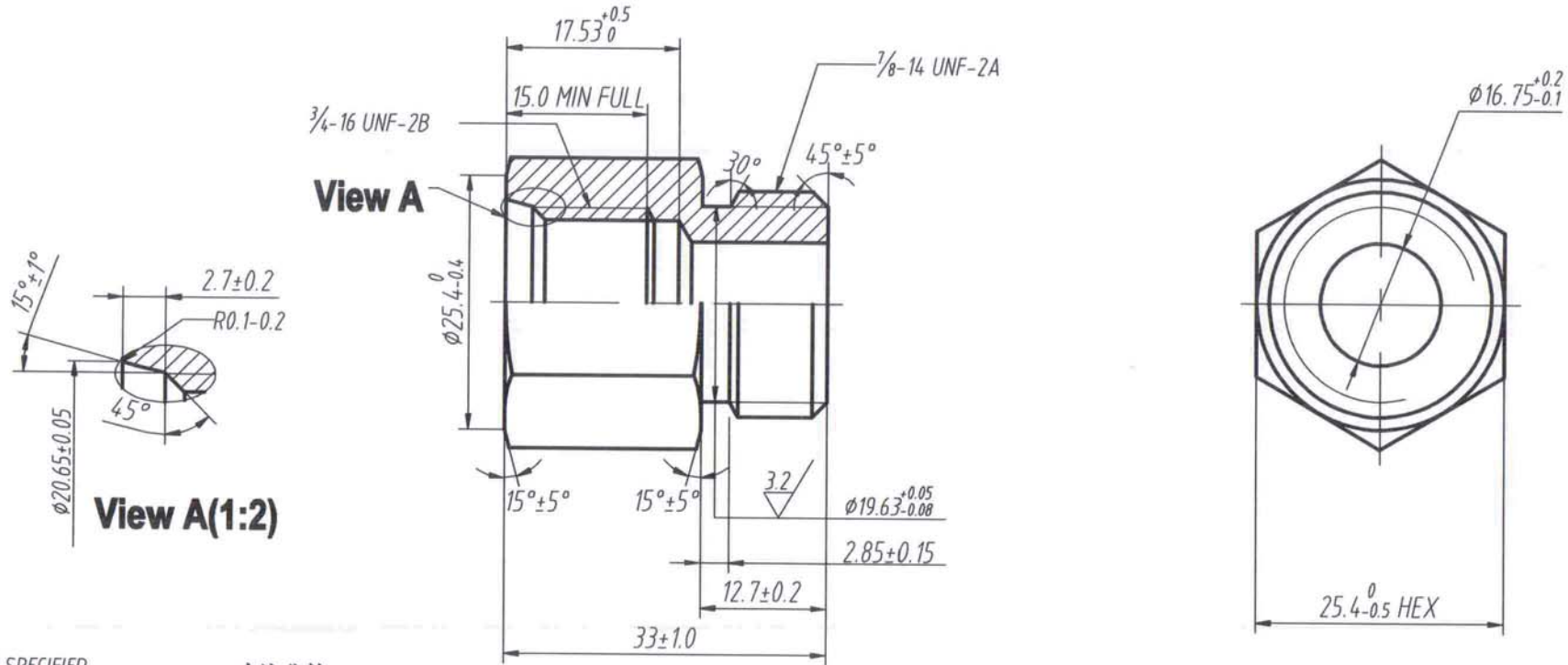


REV 更改号	DATE 日期	REVISION DETAILS 更改内容	APPD 审核并批准
A	Oct.7,2015	Update the surface treatment	



UNLESS SPECIFIED
ALL DIMENSIONS IN mm,
MACHINED SURFACES Ra=3.2um,
ANGLE TOLERANCES ±1°,
DECIMAL TOLERANCES:
.X: ±0.5
.XX: ±0.25
.XXX: ±0.127

未注公差
图示尺寸单位为MM
表面粗糙度Ra=3.2um
角度公差±1°
小数部分公差:
.X: ±0.5
.XX: ±0.25
.XXX: ±0.127

MATERIAL	Chinese steel 45
FINISH	Remove all sharp edges ,burrs ,Slivers and swarf, break all edges 0.127-0.254mm. Zinc plating with trivalent chromate passivation and passes 96hrs to white rust and 144 to red rust in a salt spray test.

[REDACTED]	
PART NO 零件名	30001-10-08
SCALE NTS	APPD: 批准: Zhangjian
	DRN 制图: WAN QIU
	DATE 日期: 07/10/15
	CHK 审核: YB. ZHAN